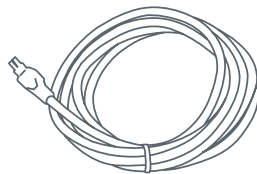


# COR IBR1100 Series

## Mission-Critical Networking for Vehicles



### WHAT'S INCLUDED:



Power/GPIO Cable

### THANK YOU FOR CHOOSING CRADLEPOINT

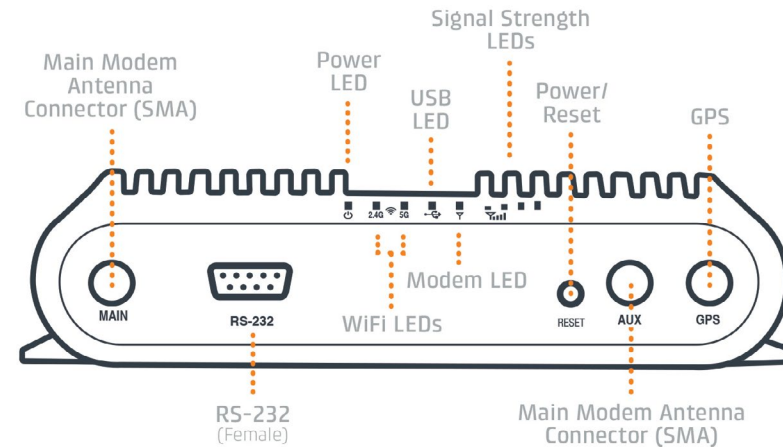
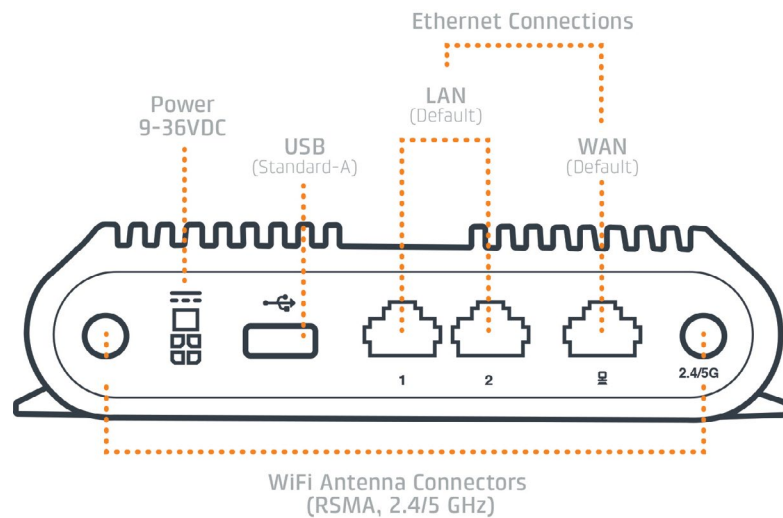
Cradlepoint is the leading provider of secure, cloud-managed 3G/4G/LTE networking solutions for the distributed enterprise with hundreds or thousands of locations. Our broad family of high-performance routers are designed for deployment in mission-critical applications that require 24x7 connectivity.

*Always Connected. Always Protected.*

### COR IBR1100 Key Features:

- + Cloud-managed
- + Dual-band, dual-concurrent WiFi
- + Ruggedized
- + Ignition sensing
- + 9-36 DC voltage input range
- + Active GPS Support
- + Software-defined radio
- + Integrated 3G/4G/LTE modem

Go to [cradlepoint.com/IBR1100](http://cradlepoint.com/IBR1100) to learn more.



## IBR1100 DEVICE DETAILS

### Model numbers:

IBR1100LPE      IBR1100LP3  
 IBR1150LPE      IBR1150LP3

### Accessories:

- + Dual-Modem Dock
- + COR Vehicle Power Adapter
- + COR Power Adapter
- + COR Power & GPIO Cable

## GETTING STARTED

### Setting Up the Router

- + Purchase a data plan. Insert the SIM as shown in the following step.
- + Connect WiFi, modem and GPS antennas as desired (sold separately). Finger tight only.
- + Wire power cable to 9-36v power source. (AC power supply sold separately.)

## SIM Card Setup

To insert or remove SIM card:

1. Remove bottom SIM cover.
2. Slide metal latch down to unlock.
3. Pull cartridge upward, so it is standing at a 90° angle.
4. Insert SIM card with metal contacts down and notch out.
5. Press cartridge back into place.



6. Return metal latch to start (lock) position.
7. Replace bottom SIM cover.

*Note: Device will not power on without cover in place.*



## ACTIVATE YOUR MODEM

A Cradlepoint router requires a data subscription to a wireless broadband data plan to connect to a wireless network. Wireless broadband data plans are available from wireless carriers such as AT&T, Verizon, Sprint, T-Mobile, EE, and Vodafone. Carriers offer several different types of data plans and Cradlepoint works with most (Mobile broadband, M2M, and router pricing plans; private and public APNS; and static or dynamic IP address). To add or transfer a line of service you will need to provide a unique identifier such as IMEI/MEID from the Cradlepoint modem. Data plans require a SIM that is supplied and provisioned by the wireless carrier and inserted into the Cradlepoint router or modem.

For more information on activation see [cradlepoint.com/activation](http://cradlepoint.com/activation).

## GPS

The IBR1100 and IBR1150 come with an active GPS connection at 3.3 V and 100 mA max.

For full functionality you will need to use an active GPS antenna. TAIP and NMEA Protocol Support.

## UPDATING NETCLOUD OS

Cradlepoint regularly creates new NetCloud OS packages. You may need to update NetCloud OS to use the IBR1100 with new modems and to access our latest features.

### Via NetCloud Manager

1. Log in at [cradlepointecm.com](http://cradlepointecm.com) using your NetCloud Manager credentials.
2. Navigate to the 'Groups' page.
3. Select a group and click on the NetCloud OS option in the top toolbar. In the dropdown menu that opens, select the desired version. Wait for NetCloud OS to load.

### Via NetCloud OS Interface

1. Log into the administration pages. You may have changed the Administrator Password when you used the First Time Setup Wizard.
2. From the System menu, select 'System Control' and 'System Software'.
3. Find the 'NetCloud OS Upgrade' section. This displays the current version that is installed and indicates if an updated version is available.

4. Click 'Automatic (Internet)' if a new NetCloud OS version is available. The IBR1100 will download and install the NetCloud OS version and automatically reboot itself. A status monitor will appear and indicate when this process is complete. This process may take several minutes depending on your Internet connection speed.

## ROUTER COMMUNICATION / DATA USAGE

The factory default configuration of the router is set to communicate with Cradlepoint and other resources at regular intervals to access the latest NetCloud OS and modem updates, clock synchronization (NTP), and NetCloud Manager membership. Such communication may result in data usage and applicable charges regardless of whether the router uses a wired or wireless Internet connection. To avoid such data usage and potential charges, consult the following Knowledge Base article:

<http://knowledgebase.cradlepoint.com/articles/support/router-communication-data-usage>