



NetCloud Services for Branch



# ARC CBA550 Spec Sheet



Cradlepoint ARC CBA550 LTE Adapter is sold as part of an all-inclusive branch networking package.

**NetCloud Packages for Branch include:**

- An LTE Adapter tailored for branch networking
- A NetCloud Service Plan tailored for branch networking and set for a specific term
- 24x7 support and limited lifetime warranty

## What to Buy

Description	Part Numbers
<b>North America</b> (U.S., Canada)	
— NetCloud Essentials for Branch LTE Adapters with CBA550-150M-D	BBx-0550150M-N0N
<b>Europe</b> (EU)	
— NetCloud Essentials for Branch LTE Adapters with CBA550-150M-B-EU	BBx-0550150M-EOM
<b>Asia-Pacific</b> (Australia, New Zealand, Singapore)	
— NetCloud Essentials for Branch LTE Adapters with CBA550-150M-C-AP	BBx-0550150M-P0M

x = 1, 3, or 5 years

NetCloud Essentials packages and plans contain all the features and capabilities required. Essentials packages include 24x7 Support (Phone Support: 24 hour weekdays with Emergency response on weekends, Web: 24x7, Chat: 24x5) and a Limited Lifetime Warranty.

See additional details of what is included in the NetCloud Essentials software: [cradlepoint.com/netcloud-manager](https://cradlepoint.com/netcloud-manager)

## What's in the Box

- CBA550 with embedded 150M multi-carrier modem with SIM-based Auto-Carrier Selection
- Universal LTE antennas, Part # 170761-000
- Ethernet cable
- Mounting hardware
- Warranty information
- Information on how to get started with your product

## Key Features with NetCloud Service

### WAN

- 150M-D: 150/50 Mbps DL/UL FDD LTE w/HSPA+ Failback
- Advanced Modem Failure Check
- IP Passthrough
- Standby

### LAN

- VLAN 802.1Q
- DHCP Server, Client, Relay
- DNS and DNS Proxy
- DynDNS
- UPnP
- DMZ
- MAC Address Filtering

### Management

- Cradlepoint NetCloud Manager
- Web UI, API, CLI, SSH
- Data Usage Alerts
- Device Alerts
- SNMP
- SMS control

### Routing

- Routing Rules
- NAT-less Routing
- Virtual Server/Port Forwarding
- IPv6

### Security

- RADIUS and TACACS+ support\*
- 802.1x authentication for Ethernet
- ALGs
- MAC Address Filtering

- Advanced Security Mode (local user management only)
- Per-Client Web Filtering
- IP Filtering
- Content Filtering (basic)
- Website Filtering

\*-Native support for authentication. Authorization and accounting support through hotspot/captive portal services.

## Hardware Specifications

### WAN:

- Embedded 150M Category 4, LTE modem

### LAN:

- One LAN 10/100 Ethernet port

### TEMPERATURE:

- 0 °C to 50 °C (32 °F to 122 °F) operating
- -20 °C to 70 °C (-4 °F to 158 °F) storage

### HUMIDITY (non-condensing):

- 10% to 90% operating
- 5% to 95% storage

### POWER:

- 802.3af (15 W) PoE only

### POWER CONSUMPTION (Typical):

- Idle: TBD
- Single Modem: TBD

**SIZE:** 3.9 x 3.9 x 1.3 in (100 x 100 x 34 mm)

### HOUSING:

- White plastic, locking compatible
- Wall or desk

### CERTIFICATIONS:

- FCC, CE, IC
- Safety: UL/CUL/CB Scheme
- Materials: WEEE, RoHS, RoHS-2, California Prop 65

## Accessories

- White, Universal 600MHz-6GHz 3G/4G/LTE 2dBi/3dBi 6" antenna with SMA connector (1x) Part #170761-000

See the [Cradlepoint Certified Antennas for Fixed Sites](#) for more information about antennas. Also see the [Antenna Ordering and Installation Guide](#), also available in the Resources section of antenna and router product pages.

## Enterprise-Class Modem Specifications

### ARC CBA550-150M LTE HSPA+ for worldwide

ARC CBA550-150M models include an embedded LTE Category 4 LTE modem. The 150M modems support worldwide SIM-Based Auto-Carrier selection. Simply insert the SIM and wait for the router to automatically detect the SIM and establish a connection.

- Technology: LTE Cat 4 (3GPP Rel 11), DC-HSPA+
- Downlink Rates: LTE 150 Mbps, HSPA+ 42.2 Mbps\*
- Uplink Rates: LTE 50 Mbps, HSPA+ 5.76 Mbps\*
- Frequency Bands:
  - LTE: Band 2 (1900 MHz), Band 4 - AWS (1700/2100 MHz), Band 5 (850 MHz), Band 12 (700 MHz), Band 13 (700 MHz), Band 14 (700 MHz), Band 66 - AWS 3 (1700/2100 MHz), Band 71 (600 MHz)
  - WCDMA/HSPA+/UMTS: Band 2, Band 4, Band 5
- Power: LTE 23 dBm ± 1; HSPA+ 23 dBm ± 1; (typical conducted)
- Antennas: Two SMA male (plug). The recommended maximum torque is 4 inch-pounds (4 in lbs).
- Industry Standards & Certs: FCC, IC, PTCRB, AT&T, FirstNet Ready™, Verizon, Verizon NEMO/DMNR for Primary Wireless Access
- SIM: Two 2FF slots
- The CBA550-150M is certified on public safety networks worldwide.

## Support & Warranty

The CBA550 is only sold as a component of NetCloud Packages.

Cradlepoint's all-inclusive NetCloud Service Plan includes limited lifetime hardware warranty and global 24x7 enterprise-class support (phone support: 24-hour weekdays with emergency response on weekends; web: 24x7, chat: 24x5).

Learn more at [cradlepoint.com/support-services](https://cradlepoint.com/support-services)

## Safety, Regulatory & Warranty Guide

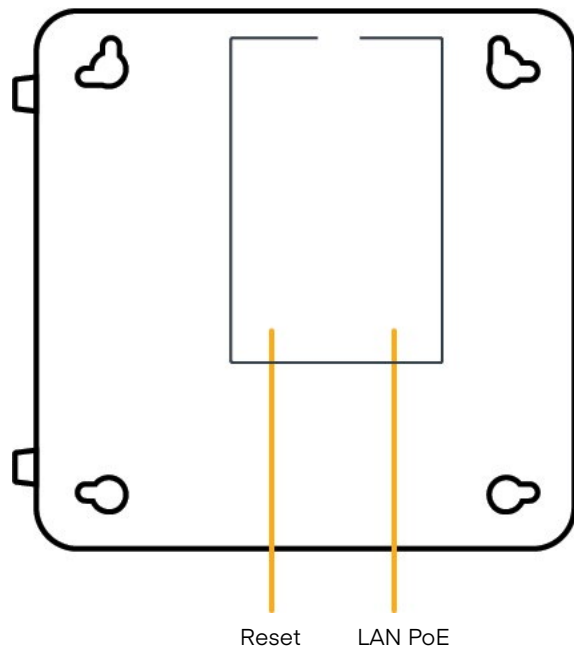
<https://customer.cradlepoint.com/s/article/Safety-Regulatory-and-Warranty-Guide-for-CBA550-Series-Routers>

*\*Theoretical*

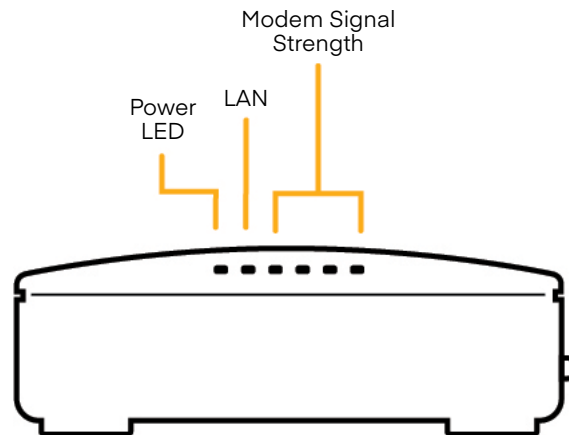
*FirstNet and FirstNet Ready are registered trademarks and service marks of the First Responder Network Authority, an independent authority within the U.S. Department of Commerce.*

## Hardware

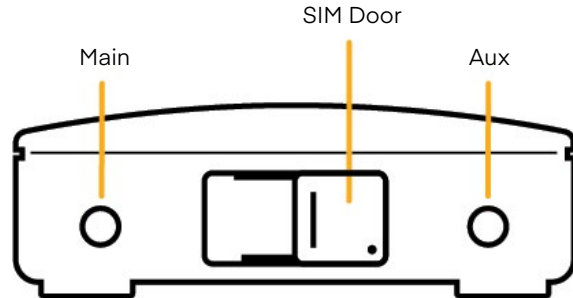
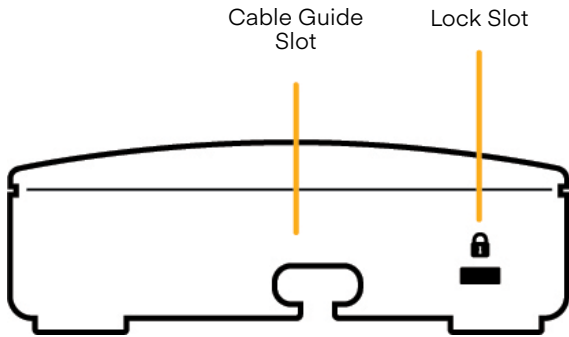
Bottom View



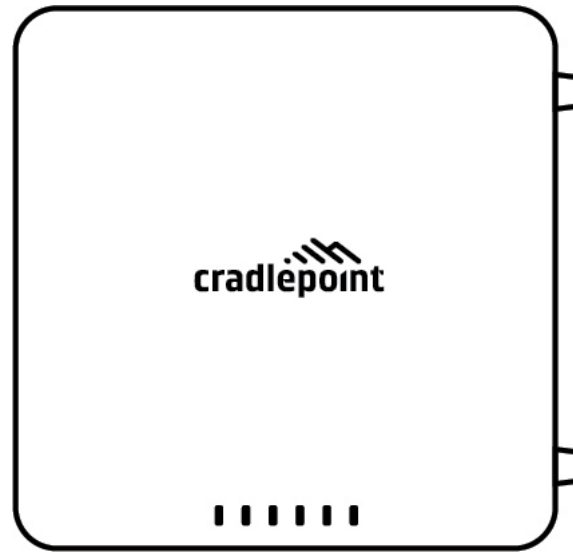
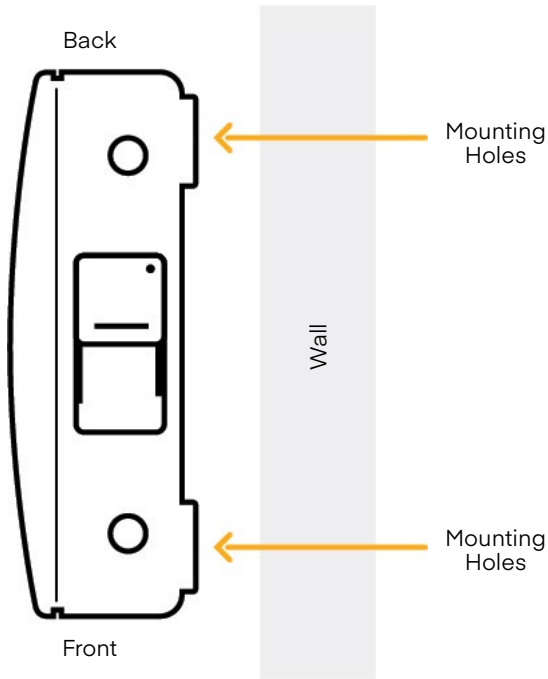
Side View



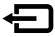

### Side View



### Top View



## LEDs

INDICATOR	BEHAVIOR
<p><b>On top of router</b></p>	<p><b>POWER</b> The Cradlepoint CBA550 must be powered by PoE.</p> <ul style="list-style-type: none"> <li>— Blue = Powered ON: 4G.</li> <li>— Green = Powered ON: 3G.</li> <li>— Amber = Attention.</li> <li>— No Light = Not receiving power. Check the power switch and the power source connection.</li> </ul>
	<p><b>INTEGRATED MODEM</b> Indicates information about the integrated modem.</p> <ul style="list-style-type: none"> <li>— Green = Modem has established an active connection.</li> <li>— Blinking Green = Modem is connecting.</li> <li>— Amber = Modem is not active.</li> <li>— Blinking Amber = Data connection error. No modem connection possible.</li> <li>— Blinking Red = Modem is in the process of resetting.</li> </ul>
	<p><b>SIGNAL STRENGTH</b> Blue LED bars indicate the active modem's signal strength.</p> <ul style="list-style-type: none"> <li>— 4 Solid Bars = Strongest signal.</li> <li>— 1 Blinking Bar = Weakest signal. (A blinking bar indicates half of a bar.)</li> </ul>